

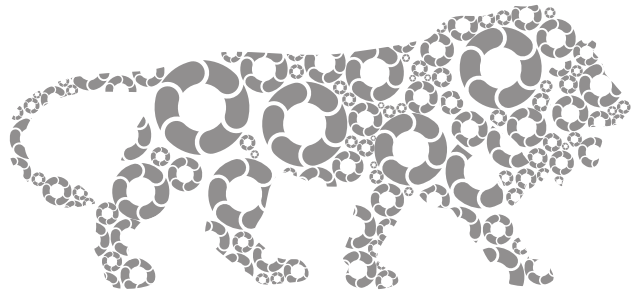
MAY 2024

**KOLORS**<sup>®</sup>  
make life better

# INSPIRING RELIABILITY, REDEFINING SAFETY.



**KWIKTRIP**<sup>®</sup>  
miniature circuit breaker & distribution board



Driven by  
**innovation,**  
measured by  
**trust.**

## प्रचलित जीवन शैली के साथ-साथ गुणवत्तापूर्ण विद्युत उत्पाद

कलर्स में, गुणवत्ता पर हमारा बेजोड़ फोकस, निष्पादन में सूक्ष्मता और विविध श्रेणी ने हमें उद्योग में सबसे आगे स्थापित करने में मदद की है। आज हम अंतर्राष्ट्रीय गुणवत्ता वाले उत्पादों के निर्माता होने में गर्व महसूस करते हैं जिनकी कल्पना, डिज़ाईन एवं निर्मितता भारत में ही की गई है।

यह बात १९७० की है जब कलर्स ने एक छोटी सी व्यापारी कंपनी को स्थापित किया, जो कि इलेक्ट्रीकल वायरिंग एक्सेसरीज़ में व्यापार करती थी। अपनी कार्यप्रणाली के दौरान, इस समूह ने धीरे-धीरे घरों, कार्यालयों, कारखानों, हवाई अड्डों और होटलों के लिए इलेक्ट्रीकल स्विचस और एक्सेसरीज़ उत्पादन के क्षेत्र में अपने कदम रखे। आज, कलर्स ने हर बाजार खंड के लिए सभी प्रकार के स्विच, सॉकेट, एक्सेसरीज़, एमसीबी, एलईडी लाईटिंग उत्पाद, प्लग टॉप, तार, लैम्प होल्डर, डोर बेल, माउंटिंग बॉक्स और घर स्वचालन उत्पादन के निर्माण से उद्योग जगत में अपना एक स्थान बनाया है।

५ अत्याधुनिक उत्पादन प्लांट्स, १३ डिपो, ५००० से अधिक चैनल पार्टनर्स, १५०० से ज्यादा कर्मचारियों और ५००० से ज्यादा प्रोजेक्ट्स के साथ कलर्स पूरे भारत में मौजूद है और अनगिनत लोगों को विश्वस्तरीय उत्पाद प्रदान कर रहा है।

गुणवत्ता, परिष्कार और शैली का अनुसरण हमें उद्योग के शीर्ष की ओर ले जाता है। हमारे उत्पादों की विस्तृत श्रृंखला कुछ ऐसा प्रदान करती है जो जीवन शैली की हर शैली के अनुकूल हो। हमारे इन्ोवेशन अग्रणी दृष्टिकोण और प्रवीणता ने हमें विश्व स्तरीय गुणवत्ता वाले उत्पाद प्रदान करने में मदद की है जो भव्य जीवनशैली और विशेष श्रेणी दर्शाती है। कलर्स उत्पादों की बेजोड़ गुणवत्ता और हमारे अत्याधुनिक विनिर्माण संयंत्रों ने हमें आईएसओ, ओएचएसएसओ और सीई प्रमाणीकरण का दावा करने में मदद की है। ये प्रमाणपत्र हमें दुनिया भर में कहीं भी अपने उत्पाद बेचने की अनुमति देते हैं। हमारे प्रयास का नतीजा वास्तव में पुरस्कृत हुआ है जैसे – भारत डिजाइन मार्क से दो बार सम्मानित होना। पर्यावरण, सदभावनापूर्ण जीवन हमारे सिद्धांतों के केंद्र में है। अपने कार्बन फुटप्रिंट को कम करने लिए हम प्रतिबद्ध हैं, सौर ऊर्जा और वर्षा जल संचयन जैसे नवीनीकृत ऊर्जा संसाधनों का उपयोग करते हुए हरीत भविष्य की ओर अग्रसीत समाज में हमारे योगदान के रूप में देखा जा सकता है। कलर्स में हम न केवल गुणवत्ता में बल्कि पर्यावरण के प्रति हमारी जिम्मेदारी में भी उद्योग का नेतृत्व करने का प्रयास करते हैं।

हमारे लिए, सामाजिक जिम्मेदारी हर पहल के मूल में है। हम शिक्षा, पर्यावरण, स्वास्थ्य और आवास के क्षेत्रों में योगदान देकर समाज में एक मूल्यवान अंतर लाने के लिए अपनी पूरी कोशिश करते हैं। हमारा सीएसआर प्रयास सभी के लिए अवसर प्रदान करते हुए जीवन को बेहतर बनाने के हमारे कर्तव्य को साफ दर्शाते हैं।

## Elevating Stylish Living with Quality Electrical Products

At Kolors, we take immense pride in our unwavering focus on top-notch quality, finesse in execution, and a diverse range of products that place us at the forefront of the industry. As a Fast-Moving Electrical Goods (FMEG) Company, we are dedicated to delivering international standard products that are conceived, designed, and manufactured right here in India for the world.

Since our inception in 1970 as a small trading company specializing in electrical products and accessories, we have grown to become a leading manufacturer of electrical switches and fixtures for various sectors. Today, our product range includes switches, sockets, accessories, switchgears, distribution boards, LED lighting products, wires & cables, home automation products, plug tops, lamp holders, doorbells, extension cords, spikeguards, mounting boxes and motion sensors for every imaginable market segment.

With 5 state-of-the-art manufacturing plants, 13 Depots, 5000 plus Channel Partners, and a workforce of over 1500, we have achieved a wide-ranging presence across India, making our top-quality products accessible to a vast audience.

Our unwavering pursuit of quality, sophistication, and style drives us on our journey to the forefront of the industry. Offering a wide array of products, we cater to every style of living. Through innovation and expertise, we provide world-class quality products that radiate grandeur and class. The unmatched quality of Kolors products and our state-of-the-art manufacturing plants has helped us claim ISO, OHSAS & CE certification. These certifications allow us to sell our products anywhere around the world. Our commitment to excellence has been recognized with the prestigious India Design Mark, twice.

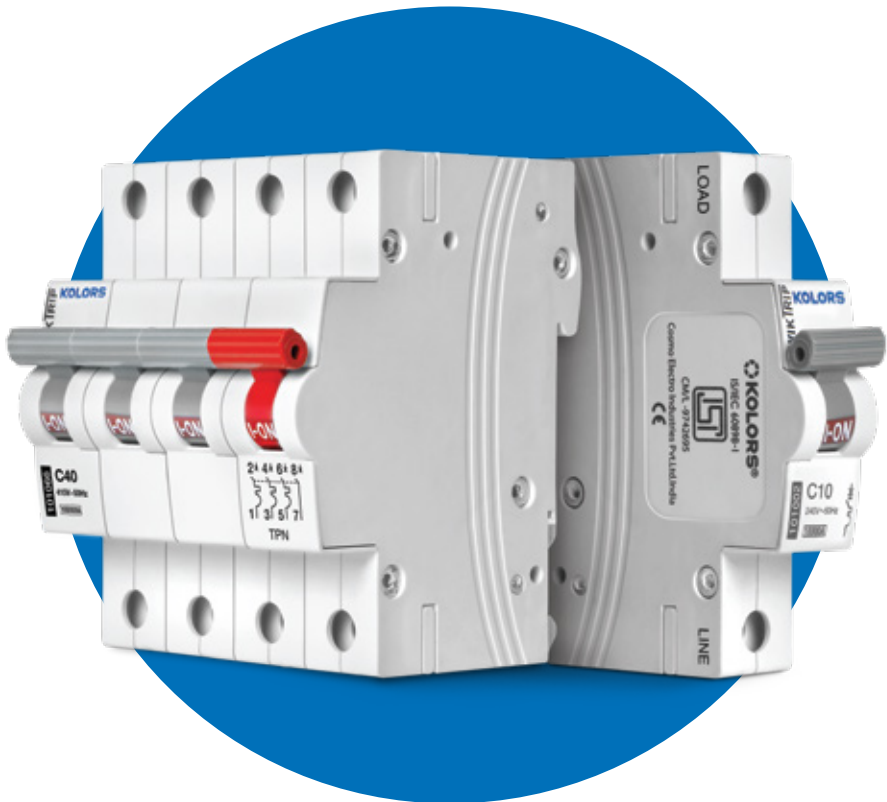
For us, sustainability is at the heart of our ethos. Committed to reducing our carbon footprint, we harness renewable resources like solar power and rainwater harvesting initiatives, contributing to a greener future. At Kolors, we strive to lead the industry not only in quality but also in our responsibility towards the environment.

For us, social responsibility is at the core of every initiative. We strive our best to bring a valuable difference to the society by contributing in the areas of Education, Environment, Health & Housing. Our CSR endeavours align with our mission to 'make life better' while providing opportunities for all.

At Kolors, we are devoted to enhancing stylish living through superior electrical goods, and our unwavering commitment to quality sets us apart in the market.

\*AWARDED BY INDIA DESIGN COUNCIL -  
 AN AUTONOMOUS BODY  
 UNDER MINISTRY OF COMMERCE AND INDUSTRY,  
 GOVERNMENT OF INDIA





## **Safety** that's promising.

By identifying a fault condition and interrupting flow, a Miniature Circuit Breaker protects a circuit from harm brought on by a short circuit or overload. It also offers protection in the event of an overload by shutting off the power. These MCBs offer unmatched durability and maximum protection further enhancing the safety of your spaces. These are made with unwavering precision and flawless execution. Built to last while offering supreme safety, reliability and functionality, these MCBs are crafted using world-class quality materials. Superseding all international standards of safety and quality, Kwiktrip MCB makes for the finest choice when it comes to safeguarding your spaces.

**KWIKTRIP<sup>®</sup>**  
miniature circuit breaker

Supreme safety, handcrafted to perfection.

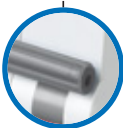
Kwiktrip is Miniature Circuit Breaker that comes with a ribbed knob and an 5arc-shaped cover for firm grip and comfortable operation. Available in rating of 6A, 10A, 20A, 25A, 32A, 40A, 63A- 240/415 V AC with Single Pole (SP), Single Pole + neutral (SPN), Double Pole (DP), Three Pole (TP), Three Pole + neutral (TPN) and Four Pole (FP).



Heavy duty terminals



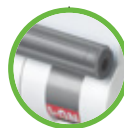
Finger proof terminals with combihead screws



Ribbed knob for better grip



Bi-connect terminals



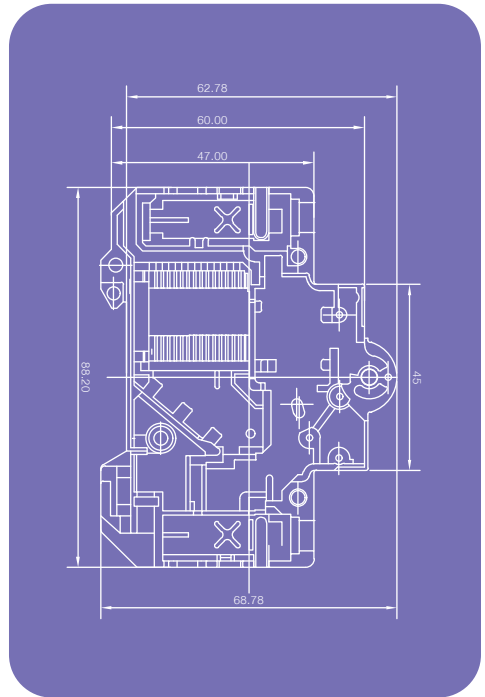
Contact position indicated on operating lever



Air flow channels

## Technical Specifications

- Standard Conformity: IS/IEC 60898
- No of poles: SP, SPN, DP, TP, TPN, FP
- Rated voltage: 240V AC for SP, SPN & 415 V AC for multipoles (DP, TP, TPN, FP)
- Rated current: 6A, 10A, 16A, 20A, 25A, 32A, 40A, 63A
- Tripping curve: B & C-Type
- Rated short circuit capacity ( $I_{cn}$ ): 10000A
- Rated service short circuit capacity ( $I_{cs}$ ): 7500A
- Rated frequency: 50 Hz
- Impulse withstand voltage ( $U_{imp}$ ): 4.7/5.8 k Vp
- Electromechanical endurance: >4000 cycle
- Mechanical endurance: <32A 20000 cycle  
>32A 10000 cycle
- Terminals: Screw type terminals
- Terminal capacity: upto 25mm<sup>2</sup>
- Fastening torque: 2.0 Nm
- Installation: On symmetrical 35mm DIN rail



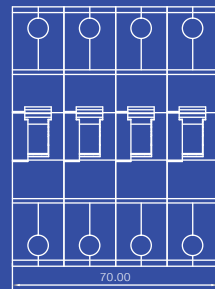
SINGLE  
POLE



DOUBLE POLE  
+  
SPN



TRIPLE  
POLE



FOUR POLE  
+  
TPN

## Features

- Installation on symmetrical 35mm DIN rail.
- Easy installation & removal through snap pusher.
- Terminal capacity (max) : 25 mm<sup>2</sup>.
- Body is completely arc protected.
- Powerful arc extinguish system-special 16 plates arc chute assembly provided.



SHORT CIRCUIT  
CAPACITY

- 4.5 mm gap between contacts in open position.
- Low leakage current i.e. 7.0  $\mu$ A at 1.1\*240V. ( Whereas IEC specified 2mA at 1.1\*240V).
- IP 20 protection.
- Flame retardant thermo plastic moulded case which is highly resistant to heat & fire.
- Non weldable silverised contacts.



LOW  
RESISTANCE



LOW VOLTAGE  
DROP



LOW WATT  
LOSS

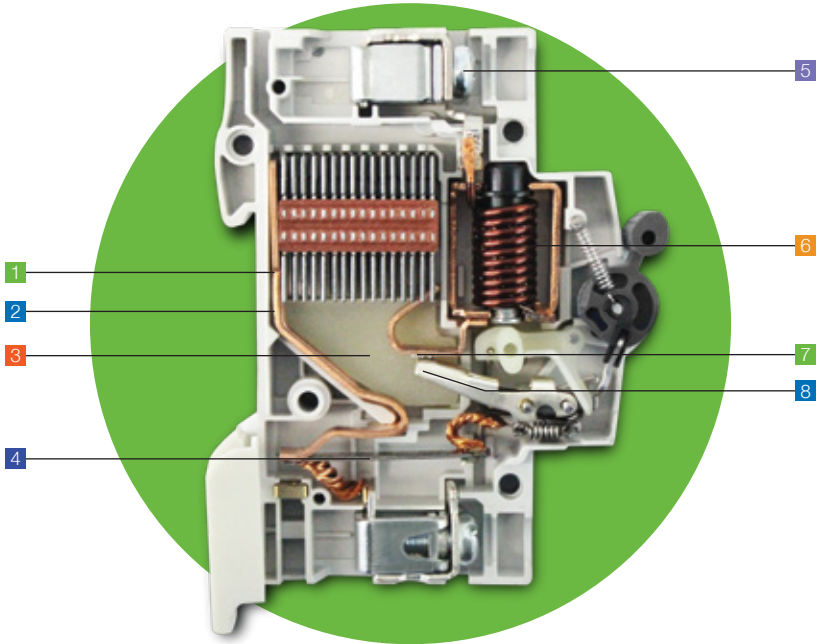


LOW TEMPERATURE  
RISE



GOOD  
CONDUCTIVITY





1 16 Plate Arc Chute

2 Arc Runner

3 Gas Chamber

4 Thermal Protection Bi-metal

5 Combi head Terminal Screw

6 Electro magnetic Protection (Solenoid)

7 Fixed contact

8 Moving Contact

**MCBs 10KA - C-CURVE | SINGLE POLE (SP)**

CODE	RATING	LIST PRICE (₹) PER UNIT	PACK
101001	6A	232.00	12/144
101002	10A	232.00	12/144
101003	16A	232.00	12/144
101004	20A	232.00	12/144
101005	25A	232.00	12/144
101006	32A	232.00	12/144
101007	40A	480.00	12/144
101009	63A	615.00	12/144



**MCBs 10KA - C-CURVE | SINGLE POLE PROTECTED (SPN)**

CODE	RATING	LIST PRICE (₹) PER UNIT	PACK
101015	6A	835.00	06/72
101016	10A	835.00	06/72
101017	16A	835.00	06/72
101018	20A	835.00	06/72
101019	25A	835.00	06/72
101020	32A	835.00	06/72
101021	40A	1180.00	06/72
101023	63A	1225.00	06/72



**MCBs 10KA - C-CURVE | DOUBLE POLE (DP)**

CODE	RATING	LIST PRICE (₹) PER UNIT	PACK
101030	6A	860.00	06/72
101031	10A	860.00	06/72
101032	16A	860.00	06/72
101033	20A	860.00	06/72
101034	25A	860.00	06/72
101035	32A	860.00	06/72
101036	40A	1230.00	06/72
101038	63A	1300.00	06/72



**MCBs 10KA - C-CURVE | TRIPLE POLE (TP)**

CODE	RATING	LIST PRICE (₹) PER UNIT	PACK
101045	6A	1345.00	04/48
101046	10A	1345.00	04/48
101047	16A	1345.00	04/48
101048	20A	1345.00	04/48
101049	25A	1345.00	04/48
101050	32A	1345.00	04/48
101051	40A	1975.00	04/48
101053	63A	2015.00	04/48



**MCBs 10KA - C-CURVE | THREE POLE PROTECTED (TPN)**

CODE	RATING	LIST PRICE (₹) PER UNIT	PACK
101060	6A	1725.00	03/36
101061	10A	1725.00	03/36
101062	16A	1725.00	03/36
101063	20A	1725.00	03/36
101064	25A	1725.00	03/36
101065	32A	1725.00	03/36
101066	40A	2550.00	03/36
101068	63A	2575.00	03/36


**MCBs 10KA - C-CURVE | FOUR POLE (FP)**

CODE	RATING	LIST PRICE (₹) PER UNIT	PACK
101075	6A	1880.00	03/36
101076	10A	1880.00	03/36
101077	16A	1880.00	03/36
101078	20A	1880.00	03/36
101079	25A	1880.00	03/36
101080	32A	1880.00	03/36
101081	40A	2565.00	03/36
101083	63A	2670.00	03/36


**MCBs 10KA - B-CURVE\* | SINGLE POLE (SP)**

CODE	RATING	LIST PRICE (₹) PER UNIT	PACK
201001	6A	222.00	12/144
201002	10A	222.00	12/144
201003	16A	222.00	12/144
201004	20A	222.00	12/144
201005	25A	222.00	12/144
201006	32A	222.00	12/144
201007	40A	475.00	12/144
201009	63A	610.00	12/144


**MCBs 10KA - B-CURVE\* | SINGLE POLE PROTECTED (SPN)**

CODE	RATING	LIST PRICE (₹) PER UNIT	PACK
201015	6A	835.00	06/72
201016	10A	835.00	06/72
201017	16A	835.00	06/72
201018	20A	835.00	06/72
201019	25A	835.00	06/72
201020	32A	835.00	06/72
201021	40A	1180.00	06/72
201023	63A	1225.00	06/72



**MCBs 10KA - B-CURVE\* | DOUBLE POLE (DP)**

CODE	RATING	LIST PRICE (₹) PER UNIT	PACK
201030	6A	860.00	06/72
201031	10A	860.00	06/72
201032	16A	860.00	06/72
201033	20A	860.00	06/72
201034	25A	860.00	06/72
201035	32A	860.00	06/72
201036	40A	1230.00	06/72
201038	63A	1305.00	06/72



**MCBs 10KA - B-CURVE\* | TRIPLE POLE (TP)**

CODE	RATING	LIST PRICE (₹) PER UNIT	PACK
201045	6A	1345.00	04/48
201046	10A	1345.00	04/48
201047	16A	1345.00	04/48
201048	20A	1345.00	04/48
201049	25A	1345.00	04/48
201050	32A	1345.00	04/48
201051	40A	1975.00	04/48
201053	63A	2015.00	04/48



**MCBs 10KA - B-CURVE\* | THREE POLE PROTECTED (TPN)**

CODE	RATING	LIST PRICE (₹) PER UNIT	PACK
201060	6A	1725.00	03/36
201061	10A	1725.00	03/36
201062	16A	1725.00	03/36
201063	20A	1725.00	03/36
201064	25A	1725.00	03/36
201065	32A	1725.00	03/36
201066	40A	2550.00	03/36
201068	63A	2575.00	03/36



**MCBs 10KA - B-CURVE\* | FOUR POLE (FP)**

CODE	RATING	LIST PRICE (₹) PER UNIT	PACK
201075	6A	1880.00	03/36
201076	10A	1880.00	03/36
201077	16A	1880.00	03/36
201078	20A	1880.00	03/36
201079	25A	1880.00	03/36
201080	32A	1880.00	03/36
201081	40A	2565.00	03/36
201083	63A	2675.00	03/36



\*B-Curve MCB's are available against the project order

**ISOLATOR | SINGLE POLE (SP)**

CODE	RATING	LIST PRICE (₹) PER UNIT	PACK
101109	32A	218.00	12/144
101110	40A	326.00	12/144
101111	63A	368.00	12/144


**ISOLATOR | DOUBLE POLE (DP)**

CODE	RATING	LIST PRICE (₹) PER UNIT	PACK
101114	32A	352.00	06/72
101115	40A	481.00	06/72
101116	63A	600.00	06/72
NEW 101117	80A		06/72
101118	100A		06/72


**ISOLATOR | TRIPLE POLE (TP)**

CODE	RATING	LIST PRICE (₹) PER UNIT	PACK
101119	32A	615.00	04/48
101120	40A	890.00	04/48
101121	63A	1010.00	04/48


**ISOLATOR | FOUR POLE (FP)**

CODE	RATING	LIST PRICE (₹) PER UNIT	PACK
101123	32A	825.00	03/36
101124	40A	1075.00	03/36
101125	63A	1120.00	03/36
NEW 101126	80A		03/36
101127	100A		03/36



## RESIDUAL CURRENT CIRCUIT BREAKER (RCCB)

# Protection against Electrocution

In our everyday life, we often come across many accidents that cost human lives due to inappropriate usage or coming in direct contact with electric current. Incorrect fitting, faulty equipments or wrong usage of devices cause the current to flow through insulation to the earth, this is known as leaking of current.

Any use of exposed, badly wired, substandard, damaged or incorrectly connected equipment as well as frayed or not properly repaired cables cause hindrance to the safety and increases the risk of receiving an electric shock.

A well chosen Circuit Breaker is effective in detecting small currents flowing to earth and thus helps reduce the risk of electrocution and prevents fire. Research suggests that electrical shock should not be considered only in terms of current alone but also in terms of contact voltage. Every person who gets electrocuted by coming in contact with an object has different potential of taking that current passing through their body. The difference in potential defines the severity of how the current flows through the body.

Kolors RCCB provides protection against earth fault/ current leakage, thus ensuring optimum safety of your house and your near ones.



Turn  n SAFETY

# Safety you can trust.

A seamless blend of durability and reliability that ensures the safety of your near ones. Crafted with the finest materials to offer matchless durability and safeguard your precious world.



## RESIDUAL CURRENT CIRCUIT BREAKER (RCCB)

### Technical Specifications

Standard Conformity	IS12640-1: 2008
Rated Current	16A, 25A, 32A, 40A & 63A
Sensitivity	30mA, 100mA & 300mA
Type	AC
Rated Frequency	50Hz
Rated Voltage	Double Pole - 240V Four Pole - 415V
Insulation Voltage (U <sub>i</sub> )	500V
Impulse withstand Voltage (U <sub>imp</sub> )	4kV
Rated short circuit capacity(I <sub>cn</sub> )	10kA
Electrical Endurance	4000 cycles
Degree of Protection	IP 20
Pollution Degree	2
Test Button	on front
Method of Mounting	DIN rail mounted
*Terminal Capacity	Upto 35 mm <sup>2</sup>

\*Terminal Capacity - Suitable for Copper & Aluminium Cables and compatible with Cables upto 35 mm<sup>2</sup> Cross Section area



## RESIDUAL CURRENT CIRCUIT BREAKER (RCCB)

### DOUBLE POLE (DP) - 16A

**NEW**

CODE	SENSITIVITY	LIST PRICE (₹) PER UNIT	PACK
101201	30mA	3100.00	06/72



### DOUBLE POLE (DP) - 25A

CODE	SENSITIVITY	LIST PRICE (₹) PER UNIT	PACK
101204	30mA	3100.00	06/72
101205	100mA	3175.00	06/72
101206	300mA	3175.00	06/72



### DOUBLE POLE (DP) - 32A

CODE	SENSITIVITY	LIST PRICE (₹) PER UNIT	PACK
101207	30mA	3100.00	06/72
101208	100mA	3175.00	06/72
101209	300mA	3175.00	06/72



### DOUBLE POLE (DP) - 40A

CODE	SENSITIVITY	LIST PRICE (₹) PER UNIT	PACK
101210	30mA	3225.00	06/72
101211	100mA	3440.00	06/72
101212	300mA	3440.00	06/72



### DOUBLE POLE (DP) - 63A

CODE	SENSITIVITY	LIST PRICE (₹) PER UNIT	PACK
101213	30mA	4150.00	06/72
101214	100mA	4225.00	06/72
101215	300mA	4225.00	06/72



## RESIDUAL CURRENT CIRCUIT BREAKER (RCCB)

### FOUR POLE (FP) - 25A

CODE	SENSITIVITY	LIST PRICE (₹) PER UNIT	PACK
101304	30mA	3750.00	03/36
101305	100mA	3800.00	03/36
101306	300mA	3800.00	03/36



### FOUR POLE (FP) - 32A

CODE	SENSITIVITY	LIST PRICE (₹) PER UNIT	PACK
101307	30mA	3750.00	03/36
101308	100mA	3800.00	03/36
101309	300mA	3800.00	03/36



### FOUR POLE (FP) - 40A

CODE	SENSITIVITY	LIST PRICE (₹) PER UNIT	PACK
101310	30mA	3800.00	03/36
101311	100mA	3860.00	03/36
101312	300mA	3860.00	03/36



### FOUR POLE (FP) - 63A

CODE	SENSITIVITY	LIST PRICE (₹) PER UNIT	PACK
101313	30mA	4360.00	03/36
101314	100mA	4450.00	03/36
101315	300mA	4450.00	03/36



## CHANGEOVER SWITCH

### DOUBLE POLE (DP)

CODE	RATING	LIST PRICE (₹) PER UNIT	PACK
101135	32A	1225.00	06/72
101136	40A	1465.00	06/72
101138	63A	1830.00	06/72



### FOUR POLE (FP)

CODE	RATING	LIST PRICE (₹) PER UNIT	PACK
101145	32A	2875.00	03/36
101146	40A	3245.00	03/36
101148	63A	3750.00	03/36



Manually operated changeover switch, which is used in switching of supply from one source to another & vice versa.

#### Features:

- Silver Cadmium Oxide contacts used for long life of electrical contacts.
- Flame retardant thermo plastic moulded case.
- DIN rail mounted along with the provision of mounting with MCBs, RCCBs and Isolators in Distribution Board.
- Front operation with stable positions I-O-II, center position is Off.

#### Technical Specifications:

Standard Conformity	IS/IEC 60947-3
No. of Poles	Double Pole & Four Pole
Rated Current (In)	25A, 32A, 40A & 63A
Dielectric Strength	2.5 kV
Ambient Temperature	-5°C to +55°C
Mechanical Endurance	10000 Operations
Electrical Endurance	10000 Operations
Method of Mounting	DIN rail mounted
Terminal Capacity	Upto 25 mm <sup>2</sup>

## SINGLE DOOR & DOUBLE DOOR METAL DISTRIBUTION BOARDS



- Suitable for single phase and three phase circuits
- Suitable for surface and flush mounting
- 100A bus bar
- 26/32 mm knock outs with option to completely remove top and bottom side knockouts for raceways or bigger cables
- Reversible door in double door Distribution Boards.

**KENZ**  
DISTRIBUTION BOARDS

**KAPTAIN**  
DISTRIBUTION BOARDS

**KUBIK**  
DISTRIBUTION BOARDS

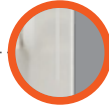
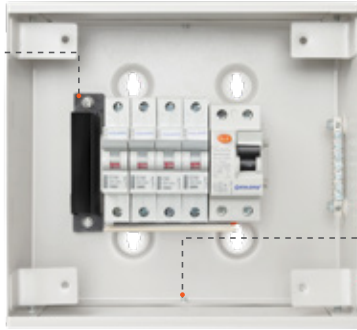
**KLUSTER**  
DISTRIBUTION BOARDS

# KLUSTER

DISTRIBUTION BOARDS



Shrouded neutral link at side for easy wiring



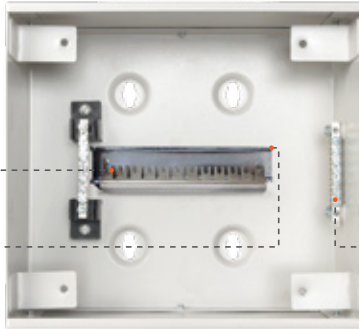
Level marks for providing an indication for fitment in the wall



Fully detachable gland plates for easy of wiring



Heavy duty nickel plated CU Busbar with sleeve



Din Rail



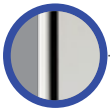
Earth Bar



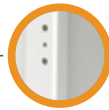
Long lasting sliding knob



Label for Circuit identification



Heavy Duty Gasket helps to achieve IP43



Holes for reversible door

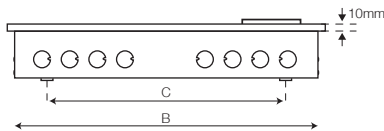
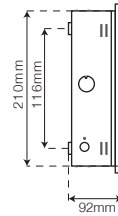
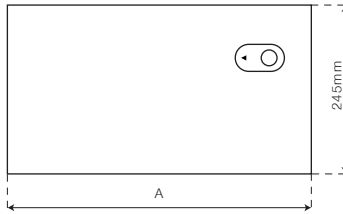


Door earthing to protect against electric shock

## SPN-DOUBLE DOOR DISTRIBUTION BOARDS

(METAL BASE WITH METAL DOOR) (SHROUDED SIDE NEUTRAL)

CODE	TYPE	LIST PRICE (₹)	PACK
871202	6 WAY	2150.00	01/06
871203	8 WAY	2365.00	01/06
871205	12 WAY	2925.00	01/03
871206	16 WAY	3725.00	01/03



No. of ways	Dimension in mm			Knock out		
	A	B	C	Top	Bottom	Each Side
4	*	*	*	*	*	*
6	286	232	78	3	3	1
8	320	268	100	4	4	1
12	390	340	170	6	6	1
16	460	410	240	8	8	1



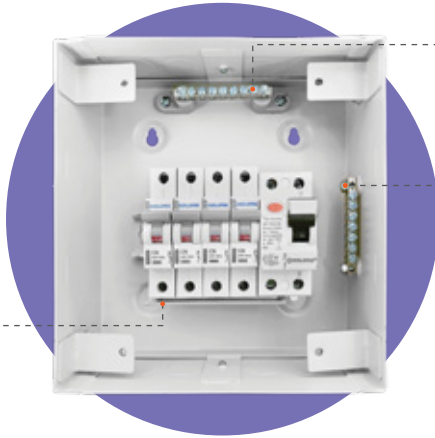
Knockouts & provision for raceway/bigger cable insertion



Raised neutral link for easy wiring



Insulated shorting bus bar



Supplied with earth link with embossed earthing symbol



Labels for circuit identification



Holes for reversible door



Door earthing to protect against electric shock

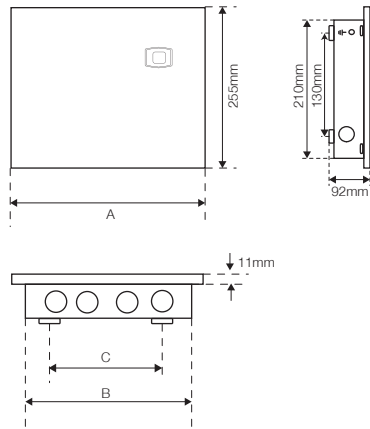


Blanking plate

## SPN-DOUBLE DOOR DISTRIBUTION BOARDS

(METAL BASE WITH METAL DOOR)

CODE	TYPE	LIST PRICE (₹)	PACK
772001	4 WAY	1525.00	01/06
772002	6 WAY	1910.00	01/06
772003	8 WAY	2100.00	01/06
772005	12 WAY	2610.00	01/03
772006	16 WAY	3380.00	01/03

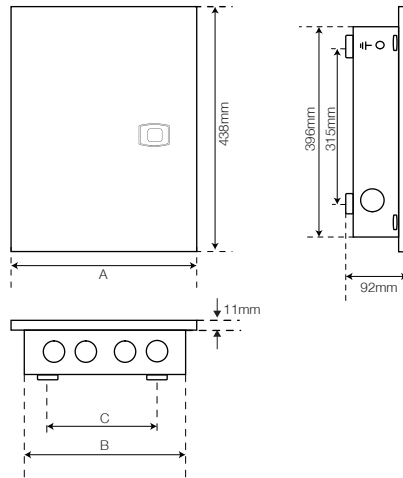


No. of ways	Dimension in mm			Knockout Dia 26/32mm		
	A	B	C	Top	Bottom	Each Side (26mm)
4	220	165	80	1/1	1/1	1
6	250	197	111	2/2	2/2	1
8	287	233	147	2/2	2/2	1
12	355	302	210	4/2	4/2	1
16	425	375	280	6/2	6/2	1



## TPN-DOUBLE DOOR DISTRIBUTION BOARDS (METAL BASE WITH METAL DOOR)

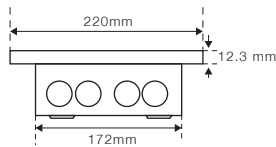
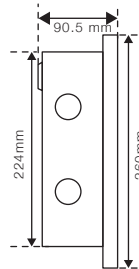
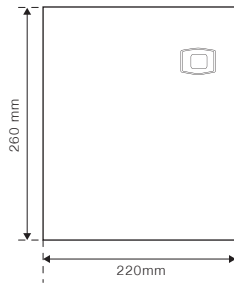
CODE	TYPE	LIST PRICE (₹) PER UNIT	PACK
774001	4 WAY	3825.00	01/02
774002	6 WAY	4775.00	01/02
774003	8 WAY	5825.00	01/02
774005	12 WAY	7925.00	01/02

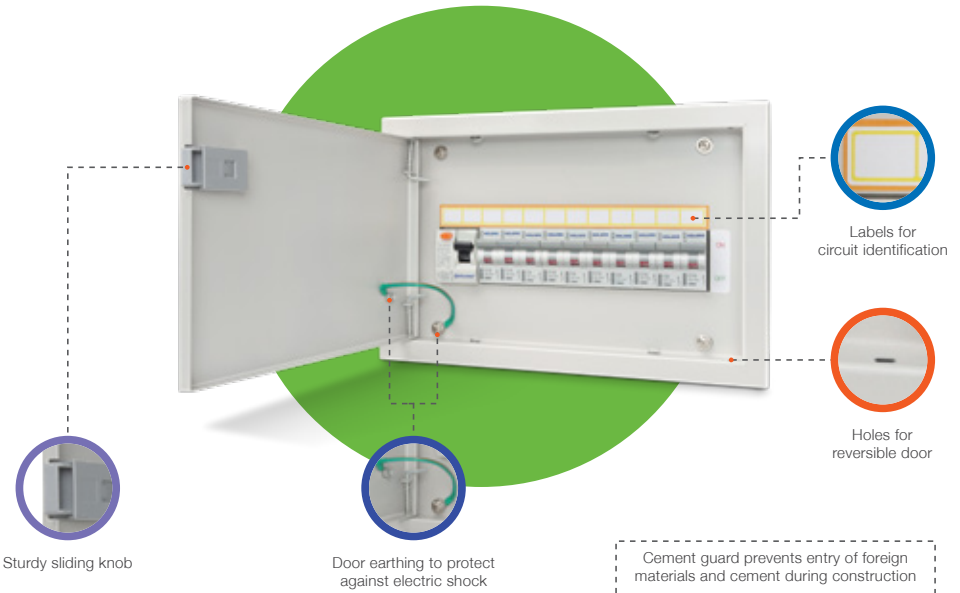
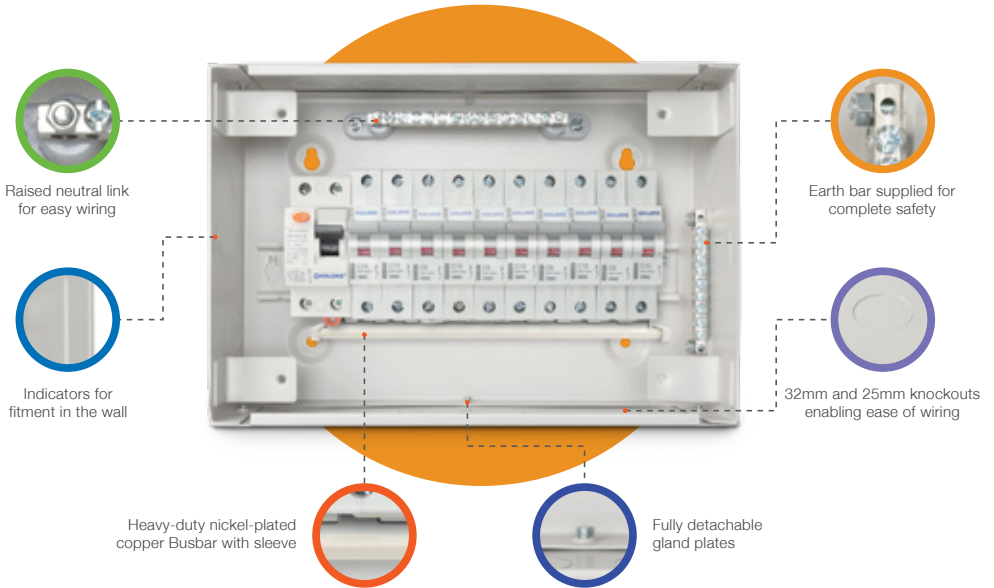


No. of ways	Dimension in mm			Knockout Dia 26/32mm		
	A	B	C	Top	Bottom	Each Side (26mm)
4	355	300	200	4/2	4/2	2
6	425	370	270	4/2	4/2	2
8	495	440	340	6/2	6/2	2
12	635	580	480	8/2	8/2	2

**T.V & TELEPHONE-DOUBLE DOOR  
DISTRIBUTION BOARDS** (METAL BASE WITH METAL DOOR)

CODE	TYPE	LIST PRICE (₹) PER UNIT	PACK
775001	T.V. & Telephone	2655.00	01

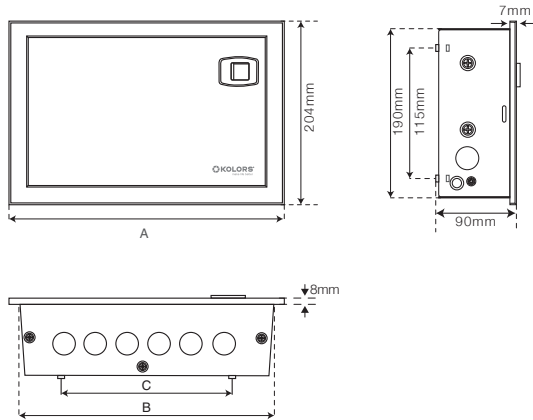




## SPN-DOUBLE DOOR DISTRIBUTION BOARDS

(METAL BASE WITH METAL DOOR)

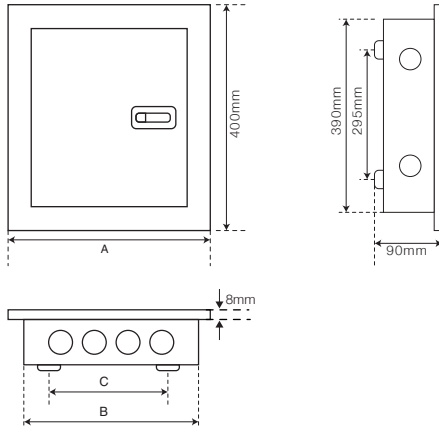
CODE	TYPE	LIST PRICE (₹)	PACK
871101	4 WAY	1365.00	01/06
871102	6 WAY	1600.00	01/06
871103	8 WAY	1735.00	01/06
871105	12 WAY	2185.00	01/03
871106	16 WAY	2790.00	01/03



No. of ways	Dimension in mm			Knockout Dia 26mm		
	A	B	C	Top	Bottom	Each Side
4	148	124	71	2	2	1
6	200	177	91	3	3	1
8	230	205	120	4	4	1
12	303	280	195	6	6	1
16	377	355	270	8	8	1

**TPN-DOUBLE DOOR DISTRIBUTION BOARDS**  
(METAL BASE WITH METAL DOOR)

CODE	TYPE	LIST PRICE (₹) PER UNIT	PACK
871111	4 WAY	3300.00	01/06
871112	6 WAY	4085.00	01/06
871113	8 WAY	4965.00	01/06
871115	12 WAY	6825.00	01/03



No. of ways	Dimension in mm			Knockout Dia 26mm			Knockout Dia 32mm	
	A	B	C	Top	Bottom	Each Side (26mm)	Top	Bottom
4	275	251	183	2	2	2	2	2
6	351	329	266	4	4	2	2	2
8	429	402	325	6	6	2	2	2
12	583	560	481	10	10	2	2	2



## ENGINEERING PLASTIC DOOR DISTRIBUTION BOARDS

- External door with replaceable picture
- Push operated lock door
- 100A Bus Bar

Supplied with earth link  
with embossed earthing symbol



Raised neutral  
link for easy wiring



Insulated shorting  
bus bar

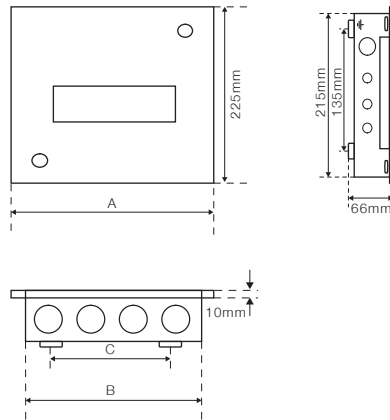


Knockouts & provision for  
raceway/bigger cable insertion

## SPN-SINGLE DOOR DISTRIBUTION BOARDS

(METAL BASE WITH METAL DOOR)

CODE	TYPE	LIST PRICE (₹)	PACK
771001	4 WAY	835.00	01/10
771002	6 WAY	970.00	01/10
771003	8 WAY	1060.00	01/10
771005	12 WAY	1420.00	01/05
771006	16 WAY	1705.00	01/05



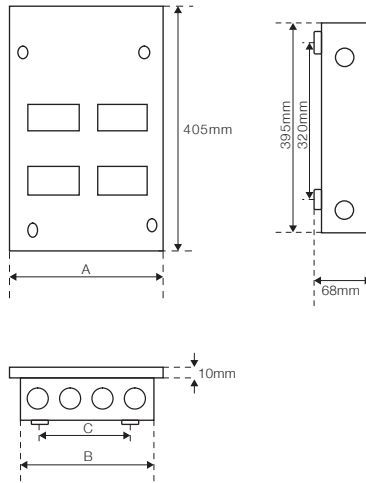
No. of ways	Dimension in mm			Knockout Dia 26/32mm		
	A	B	C	Top	Bottom	Each Side (26mm)
4	180	170	90	2	2	1
6	210	205	110	3	3	1
8	240	235	145	4	4	1
12	315	310	215	6	6	1
16	385	380	285	8	8	1



## TPN-SINGLE DOOR DISTRIBUTION BOARDS

(METAL BASE WITH METAL DOOR)

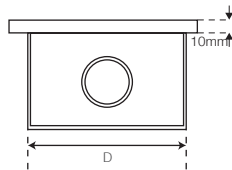
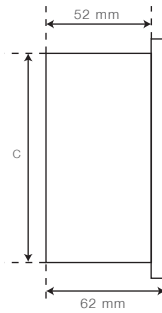
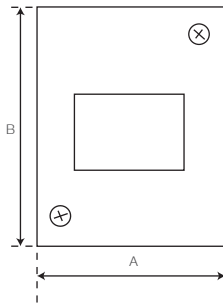
CODE	TYPE	LIST PRICE (₹)	PACK
773001	4 WAY	2535.00	01/04
773002	6 WAY	3020.00	01/04
773003	8 WAY	3335.00	01/04
773005	12 WAY	4470.00	01/04



No. of ways	Dimension in mm			Knockout Dia 26/32mm		
	A	B	C	Top	Bottom	Each Side (26mm)
4	315	305	185	2/2	2/2	2
6	385	375	255	4/2	4/2	2
8	455	445	325	6/2	6/2	2
12	595	585	450	10/2	10/2	2

**MCB ENCLOSURE DISTRIBUTION BOARDS**  
(METAL BASE WITH METAL DOOR)

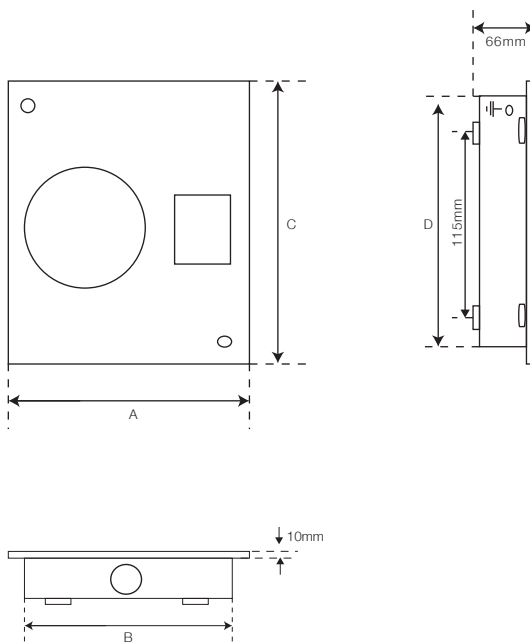
CODE	TYPE	LIST PRICE (₹) PER UNIT	PACK
775021	1/2 WAY	430.00	01/45
775022	3/4 WAY	525.00	01/38



No. of ways	Dimension in mm				Knockout Dia 26mm	
	A	B	C	D	Top	Bottom
1/2	75	160	152	70	1	1
3/4	110	157	146	102	1	1

**PLUG & SOCKET ENCLOSURE DISTRIBUTION BOARDS**  
(METAL BASE WITH METAL DOOR)

CODE	TYPE	LIST PRICE (₹) PER UNIT	PACK
775031	20A Metal Plug & Socket DB	1030.00	01/15
775032	30A Metal Plug & Socket DB	1100.00	01

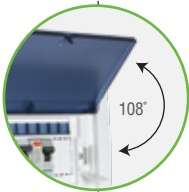


Ampere	Dimension in mm				Knockout Dia 26mm		
	A	B	C	D	Top	Bottom	Each Side (26mm)
20	135	130	170	160	1	1	0
30	130	119	285	275	1	1	0

**Driven by innovation,  
measured by trust.**



Turn  n **SAFETY**



Front door opens upto 108° to enable easy access



Provision for circuit labeling



Push operated lock door

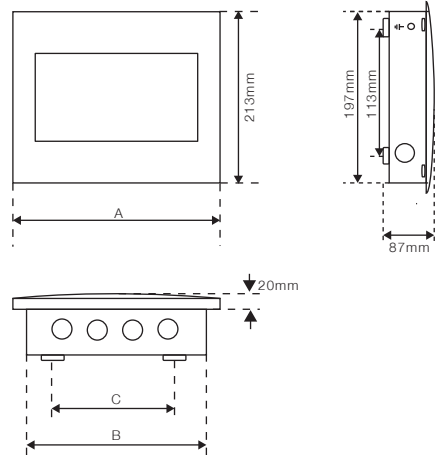
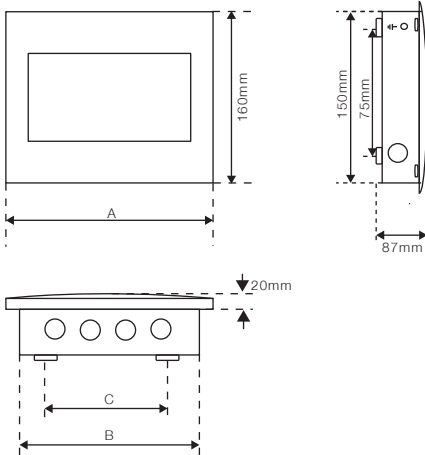
## SPN-DOUBLE DOOR DISTRIBUTION BOARDS

(METAL BASE WITH PLASTIC DOOR)

CODE	TYPE	LIST PRICE (₹)	PACK
872001	4 WAY	1405.00	01/10
872002	6 WAY	1715.00	01/06
872003	9 WAY	1880.00	01/06
872005	12 WAY	2375.00	01/04
872006	16 WAY	3100.00	01/03



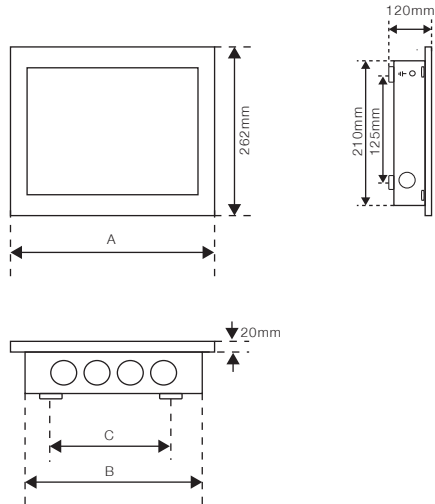
For 4 Way



No. of ways	Dimension in mm			Knock out Dia 26mm		
	A	B	C	Top	Bottom	Each Side (26mm)
4	128	116	72	2	2	1
6	215	196	128	3	3	1
9	269	255	192	5	5	1
12	323	304	226	7	7	1
16	395	375	305	9	9	1

**PREMIUM SPN-DOUBLE DOOR DISTRIBUTION BOARDS** (METAL BASE WITH PHOTO FRAME DOOR)

CODE	TYPE	LIST PRICE (₹) PER UNIT	PACK
872015	13 WAY	3520.00	01/03
872016	16 WAY	4700.00	01/03



No. of ways	Dimension in mm			Knock out Dia 26mm		
	A	B	C	Top	Bottom	Each Side (26mm)
13	345	321	257	7	7	1
16	400	375	307	9	9	1

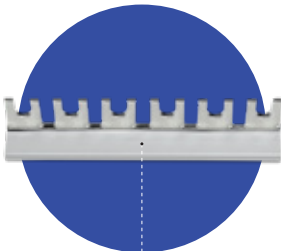
Knockouts -20 mm along with the option to completely remove the plate to accommodate large cables / raceways



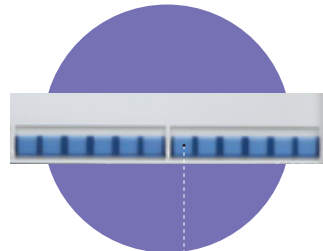
Locking system to remove the picture from backside



External door with replaceable picture



Insulated shorting bar



Provision for circuit labeling

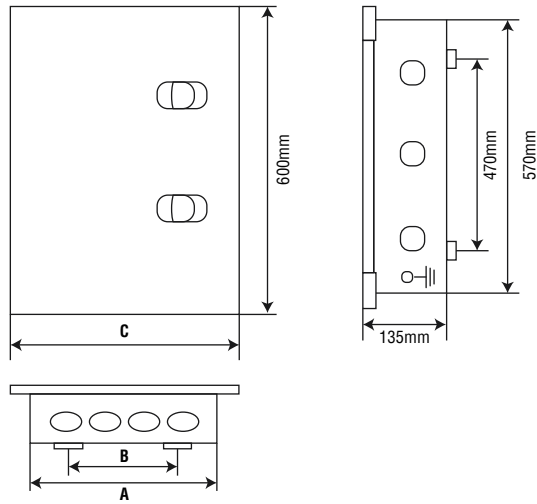


## TPN-PHASE SELECTOR-DOUBLE DOOR MCB DISTRIBUTION BOARDS

(METAL BASE WITH METAL DOOR)

**NEW**

CODE	TYPE	RATING	LIST PRICE (₹) PER UNIT	PACK
671002	4 WAY (8+12)	63A	14450.00	01
671004	6 WAY (8+18)	63A	14800.00	01
671006	8 WAY (8+24)	63A	15300.00	01



No. of ways	Incoming + Outgoing	Dimension in mm			Knock out Dia 32mm		
		A	B	C	Top	Bottom	Each Side
4 WAY	8+6+12	405	320	465	5	5	4
6 WAY	8+6+18	435	350	495	6	6	4
8 WAY	8+6+24	470	385	530	8	8	4

**ENCLOSURE PHASE SELECTOR-DOUBLE DOOR MCB DISTRIBUTION BOARDS**
**NEW**

(WITHOUT PHASE SELECTOR SWITCH &amp; CABLE ASSY) (METAL BASE WITH METAL DOOR)

CODE	TYPE	RATING	LIST PRICE (₹) PER UNIT	PACK
671102	4 WAY (8+12)	63A	8915.00	01
671104	6 WAY (8+18)	63A	9450.00	01
671106	8 WAY (8+24)	63A	9450.00	01

**SELECTOR SWITCH ASSEMBLY FOR PHASE SELECTOR DISTRIBUTION BOARDS**
**NEW**

CODE	TYPE	LIST PRICE (₹) PER UNIT	PACK
671110	Selector Switch Assembly without Cable-3 Set	4500.00	01



Raised neutral link for easy wiring



Indicators for fitment in the wall



Earth bar supplied for complete safety



32mm and 25mm knockouts enabling ease of wiring



Heavy-duty nickel-plated copper Busbar with sleeve



Fully detachable gland plates



Labels for circuit identification



Sturdy sliding knob



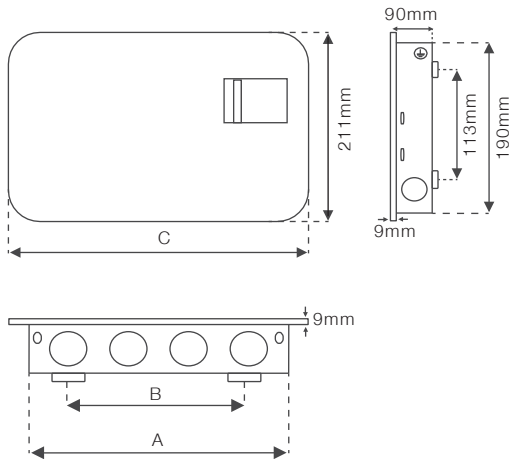
Door earthing to protect against electric shock

Cement guard prevents entry of foreign materials and cement during construction

**SPN-DOUBLE DOOR DISTRIBUTION BOARDS**  
(METAL BASE WITH METAL DOOR)

**NEW**

CODE	TYPE	LIST PRICE (₹) PER UNIT	PACK
872101	4 WAY	1475.00	01/06
872102	6 WAY	1760.00	01/06
872103	9 WAY	1915.00	01/06
872104	12 WAY	2430.00	01/03
872105	16 WAY	3075.00	01/03



No. of ways	Dimension in mm			Knock out		
	A	B	C	Top	Bottom	Each Side
4	128	71	168	2	2	1
6	178	91	222	3	3	1
8	208	119	253	4	4	1
12	280	195	323	6	6	1
16	354	268	399	8	8	1

## Safety Information

- To reduce the risk of fire or electric shock, do not use your product near water, including dripping or splashing sources (e.g.-indoor fountains).
- Do not use your product near heat sources (e.g. - radiators, heat registers, stoves, open flames, such as lighted candles).
- The product should be installed in line with installation rules and preferably by qualified electricians. Do not open up, dismantle or modify the product except where specifically required to do so by the instructions. Any attempt made to rectify, dismantle or alter the product may lead electrical shock or may destroy the product for which company is not responsible.

## Disclaimer

- The print process does not allow for exact reproduction of the material, color, print and finishes of the products. Actual products may vary from the product shown in this catalogue.
- The photographs shown in this catalogue are for representation purpose only.
- KOLORS, KWIKTRIP are registered trademark of Kolors India Private Limited.
- KWIKTRIP MCB's carry a warranty, against manufacturing defects for a period of 2 years from the date of manufacturing.
- The warranty is however subject to proper usage and maintenance and does not cover defects arising out of improper installation, in efficient maintenance, faulty operation and willful or accidental damage including nonperformance, which is caused by an event constituting Force Majeure i.e. including (but not limited to) pandemic, fire, floods, administrative orders etc.
- The Company undertakes to replace or repair products at its discretion should it become defective solely as a result of faulty materials or workmanship within 2 years. The warranty will be invalid if the product has not been installed or maintained in accordance with the Company's instruction, or in any attempts has been made to rectify, dismantle or alter the product. Company is also not responsible for any consequential loss or damage or installation costs arising out of the same.
- The Warranty does not extend to cover consequential loss, including personal injury or damage or installation costs arising out of, or in connection with, defects in the products including claim by third party.
- Limitation of liability: Company shall not be liable for any special, indirect, incidental or consequential damages what so ever including but not limited to loss of profit, revenue or data whether direct or indirect or commercial loss for breach of any express or implied warranty on your product even if company has been advised of the possibility of such damages.
- All Kolors products must be opened and repaired exclusively by personnel trained and approved by Kolors. Any unauthorized opening or repair completely cancel all liabilities and warranty.
- The Company reserves the right to modify or change the product design and specification in the future without prior intimation. Similarly, colors and finishes are also liable to change without any prior intimation.
- Proof of purchase to be retained to avail warranty.
- Burnt MCB's would not be covered under warranty.
- The data provided here are indicative & may be revised without prior intimation.
- All prices are list price, taxes will be extra as applicable.



make  
life  
better



**KOLORS INDIA PRIVATE LIMITED**

401, Vastu Prestige, Sundarban Complex  
Link Road, Andheri (W), Mumbai - 400 053

TOLL FREE: 1800 221 470  
EMAIL: [sales@kolorsworld.com](mailto:sales@kolorsworld.com)

Follow us on:    

[kolorsworld.com](http://kolorsworld.com)